



US010713950B1

(12) **United States Patent**
Newman et al.

(10) **Patent No.:** US 10,713,950 B1
(45) **Date of Patent:** Jul. 14, 2020

(54) **RAPID WIRELESS COMMUNICATION FOR VEHICLE COLLISION MITIGATION**

(71) Applicants: **David E. Newman**, Poway, CA (US);
R. Kemp Massengill, Palos Verdes, CA (US)

(72) Inventors: **David E. Newman**, Poway, CA (US);
R. Kemp Massengill, Palos Verdes, CA (US)

(73) Assignee: **AUTONOMOUS ROADWAY INTELLIGENCE, LLC**, Palos Verdes, CA (US)

(*) Notice: Subject to any disclaimer, the term of this patent is extended or adjusted under 35 U.S.C. 154(b) by 0 days.

(21) Appl. No.: **16/503,020**

(22) Filed: **Jul. 3, 2019**

Related U.S. Application Data

(60) Provisional application No. 62/861,055, filed on Jun. 13, 2019.

(51) **Int. Cl.**
G08G 1/16 (2006.01)
B60W 30/09 (2012.01)
(Continued)

(52) **U.S. Cl.**
CPC **G08G 1/164** (2013.01); **B60W 10/04** (2013.01); **B60W 10/18** (2013.01); **B60W 10/20** (2013.01);
(Continued)

(58) **Field of Classification Search**
None
See application file for complete search history.

(56) **References Cited**

U.S. PATENT DOCUMENTS

3,466,409 A 9/1969 Pernet
3,882,449 A 5/1975 Bouchard
(Continued)

FOREIGN PATENT DOCUMENTS

DE 102014212898 1/2016
EP 0136553 A2 4/1985
(Continued)

OTHER PUBLICATIONS

“Automatic Post-Collision Braking System”, Volkswagen, Retrieved from: <http://www.volkswagen.co.uk/technology/braking-and-stability-systems/automatic-post-collision-braking-system> Retrieved on: Oct. 31, 2016 (3 pages total).

(Continued)

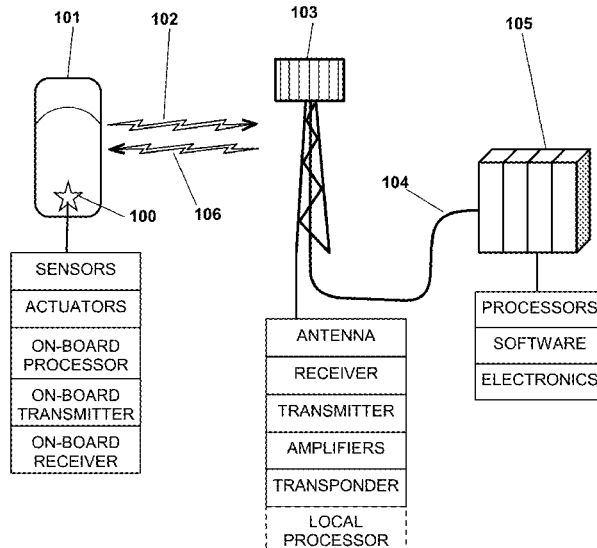
Primary Examiner — Richard M Camby

(74) *Attorney, Agent, or Firm* — Mayer & Williams PC

(57) **ABSTRACT**

Autonomous vehicles may avoid collisions, or minimize the harm of an unavoidable collision, with the assistance of a land-based supercomputer. Upon detecting an imminent collision, the vehicle may transmit a wireless message to a land-based access point using high-speed low-latency communication technology. The message may include data about the imminent collision such as the positions and velocities of the vehicles and may demand an uncontested communication channel for fast data transfer. The land-based access point can then transfer the data to a supercomputer configured to analyze the data and calculate a sequence of actions to avoid, or at least minimize, the collision. The recommended sequence of actions can then be transmitted back to the initiating vehicle in a wireless response message. In this way, the full computational power of a supercomputer can be made available to save lives.

42 Claims, 5 Drawing Sheets



(51)	Int. Cl.		9,165,469 B2	10/2015	Bowers
	B60W 30/08	(2012.01)	9,250,324 B2	2/2016	Zeng
	B60W 10/18	(2012.01)	9,318,023 B2	4/2016	Moshchuk
	B60W 10/20	(2006.01)	9,412,273 B2	8/2016	Ricci
	B60W 10/04	(2006.01)	9,415,658 B1	8/2016	Makkar
	G06Q 50/26	(2012.01)	9,701,307 B1	7/2017	Newman
	H04W 4/44	(2018.01)	9,721,400 B1	8/2017	Oakes, III
	H04L 29/08	(2006.01)	10,335,962 B1	7/2019	Rosenberg
	H04W 84/04	(2009.01)	10,405,340 B2	9/2019	Ma
			2002/0072843 A1	6/2002	Russell
			2002/0097694 A1	7/2002	Struhsaker
(52)	U.S. Cl.		2002/0198632 A1	12/2002	Breed
	CPC	B60W 30/08 (2013.01); B60W 30/09 (2013.01); G06Q 50/265 (2013.01); G08G 1/166 (2013.01); H04W 4/44 (2018.02); B60W 2400/00 (2013.01); B60W 2550/406 (2013.01); B60W 2710/18 (2013.01); B60W 2710/20 (2013.01); B60W 2720/106 (2013.01); H04L 67/1097 (2013.01); H04W 84/042 (2013.01)	2003/0014165 A1	1/2003	Baker
			2003/0067219 A1	4/2003	Seto
			2003/0080543 A1	5/2003	Takagi
			2003/0086437 A1	5/2003	Benveniste
			2003/0193889 A1	10/2003	Jacobsen
			2004/0030498 A1	2/2004	Knoop
			2004/0120292 A1	6/2004	Trainin
			2004/0122578 A1	6/2004	Isaji
			2004/0193374 A1	9/2004	Hae
			2004/0196864 A1	10/2004	Benveniste
			2004/0252863 A1	12/2004	Chang
(56)	References Cited		2005/0060069 A1	3/2005	Breed
	U.S. PATENT DOCUMENTS		2005/0071071 A1	3/2005	Nagata
			2005/0107955 A1	5/2005	Isaji
			2005/0114000 A1	5/2005	Cashier
			2005/0131646 A1	6/2005	Camus
			2005/0206142 A1	9/2005	Prakah-Asante
			2005/0271076 A1	12/2005	Ganti
			2005/0280520 A1	12/2005	Kubo
			2006/0085131 A1	4/2006	Yopp
			2006/0091654 A1	5/2006	De Mersseman
			2006/0109094 A1	5/2006	Prakah-Asante
			2006/0121877 A1	6/2006	Raghuram
			2006/0125616 A1	6/2006	Song
			2006/0282218 A1	12/2006	Urai
			2006/0290482 A1	12/2006	Matsumoto
			2007/0066276 A1	3/2007	Kuz
			2007/0078600 A1	4/2007	Fregene
			2007/0080825 A1	4/2007	Shiller
			2007/0112516 A1	5/2007	Taniguchi
			2007/0123208 A1	5/2007	Batta
			2007/0125588 A1	6/2007	Akgun
			2007/0143613 A1	6/2007	Sitch
			2007/0159319 A1	7/2007	Maldonado
			2007/0213029 A1	9/2007	Edney
			2007/0219672 A1	9/2007	Fehr
			2007/0282530 A1	12/2007	Meister
			2008/0040004 A1	2/2008	Breed
			2008/0090547 A1	4/2008	Struhsaker
			2008/0097699 A1	4/2008	Ono
			2008/0130528 A1	6/2008	Ennai
			2008/0208408 A1	8/2008	Arbitmann
			2008/0300755 A1	12/2008	Madau
			2008/0319610 A1	12/2008	Oechsle
			2009/0018740 A1	1/2009	Noda
			2009/0037088 A1	2/2009	Taguchi
			2009/0066492 A1	3/2009	Kubota
			2009/0074249 A1	3/2009	Moed
			2009/0076702 A1	3/2009	Arbitmann
			2009/0143951 A1	6/2009	Junyatakahashi
			2009/0157247 A1	6/2009	Sjogren
			2009/0184862 A1	7/2009	Stayton
			2009/0192683 A1	7/2009	Kondou
			2009/0292468 A1	11/2009	Wu
			2009/0299593 A1	12/2009	Borchers
			2009/0299857 A1	12/2009	Brubaker
			2009/0322500 A1	12/2009	Chatterjee
			2009/0326796 A1	12/2009	Prokhorov
			2010/0054146 A1	3/2010	Rudland
			2010/0093304 A1	4/2010	Miyoshi
			2010/0123778 A1	5/2010	Hada
			2010/0179760 A1	7/2010	Petrini
			2010/0202378 A1	8/2010	Youn
			2010/0254365 A1	10/2010	Benveniste
			2010/0256852 A1	10/2010	Mudalige
			2010/0305857 A1	12/2010	Byrne
			2011/0035116 A1	2/2011	Ieda

(56)

References Cited

U.S. PATENT DOCUMENTS

2011/0059721 A1 3/2011 Chen
 2011/0106361 A1 5/2011 Staempfle
 2011/0178710 A1 7/2011 Pilutti
 2011/0188416 A1 8/2011 Faccin
 2011/0210872 A1 9/2011 Molander
 2011/0238987 A1 9/2011 Kherani
 2011/0295464 A1 12/2011 Zagorski
 2012/0015622 A1 1/2012 Kuz
 2012/0062745 A1 3/2012 Han
 2012/0069746 A1 3/2012 Park
 2012/0082139 A1 4/2012 Kwak
 2012/0083947 A1 4/2012 Anderson
 2012/0083960 A1 4/2012 Zhu
 2012/0092208 A1 4/2012 Le Mire
 2012/0101713 A1 4/2012 Moshchuk
 2012/0130561 A1 5/2012 Chiang
 2012/0130629 A1 5/2012 Kim
 2012/0143488 A1 6/2012 Othmezzouri
 2012/0208488 A1 8/2012 Park
 2012/0235853 A1 9/2012 Takeuchi
 2012/0287849 A1 11/2012 Wilczewski
 2012/0289185 A1 11/2012 Leung
 2013/0030651 A1 1/2013 Moshchuk
 2013/0030686 A1 1/2013 Morotomi
 2013/0052985 A1 2/2013 Tujkovic
 2013/0054128 A1 2/2013 Moshchuk
 2013/0111044 A1 5/2013 Cherian
 2013/0128786 A1 5/2013 Sultan
 2013/0162479 A1 6/2013 Kelly
 2013/0166150 A1 6/2013 Han
 2013/0279392 A1 10/2013 Rubin
 2013/0279393 A1 10/2013 Rubin
 2013/0279491 A1 10/2013 Rubin
 2013/0303104 A1 11/2013 Venkatachalam
 2014/0032049 A1 1/2014 Moshchuk
 2014/0039786 A1 2/2014 Schleicher
 2014/0070980 A1 3/2014 Park
 2014/0139366 A1 5/2014 Moses
 2014/0156157 A1 6/2014 Johnson
 2014/0195141 A1 7/2014 Nagata
 2014/0207344 A1 7/2014 Ihlenburg
 2014/0273914 A1 9/2014 Mechaley
 2014/0379167 A1 12/2014 Flehmig
 2015/0046078 A1 2/2015 Biess
 2015/0063227 A1 3/2015 Chaponniere
 2015/0085119 A1 3/2015 Dagan
 2015/0160338 A1 6/2015 Bageshwar
 2015/0166062 A1 6/2015 Johnson
 2015/0249515 A1 9/2015 Wu
 2015/0262487 A1 9/2015 Cazanaz
 2015/0264538 A1 9/2015 Klang
 2015/0307097 A1 10/2015 Steinmeyer
 2015/0314783 A1 11/2015 Nespolo
 2015/0336574 A1 11/2015 Akiyama
 2015/0336579 A1 11/2015 Yoshizawa
 2015/0340763 A1 11/2015 Stepanenko
 2015/0348417 A1 12/2015 Ignaczak
 2016/0029197 A1 1/2016 Gellens
 2016/0071417 A1 3/2016 Lewis
 2016/0103218 A1 4/2016 Mandava

2016/0105784 A1 4/2016 Gellens
 2016/0107609 A1 4/2016 Sogabe
 2016/0119959 A1 4/2016 Jung
 2016/0121887 A1 5/2016 Jeon
 2016/0125746 A1 5/2016 Kunzi
 2016/0163199 A1 6/2016 Chundrlik
 2016/0167671 A1 6/2016 Offenhaeuser
 2016/0200318 A1 7/2016 Parikh
 2016/0200319 A1 7/2016 Nemoto
 2016/0200320 A1 7/2016 Nemoto
 2016/0200321 A1 7/2016 Yamada
 2016/0232790 A1 8/2016 Massey
 2016/0236638 A1 8/2016 Lavie
 2016/0239921 A1 8/2016 Bray
 2016/0254691 A1 9/2016 Koo
 2016/0272201 A1 9/2016 Kang
 2016/0277513 A1 9/2016 Kim
 2016/0288799 A1 10/2016 Nguyen Van
 2017/0026151 A1 1/2017 Adachi
 2017/0043768 A1 2/2017 Prokhorov
 2017/0055141 A1 2/2017 Kim
 2017/0127259 A1 5/2017 Miner
 2017/0148235 A1 5/2017 Yakub
 2017/0164371 A1 6/2017 Kim
 2017/0325214 A1 11/2017 Lu
 2017/0330457 A1 11/2017 Bhalia
 2017/0353879 A1 12/2017 Rad
 2018/0076992 A1 3/2018 Nabetani
 2018/0084587 A1 3/2018 Noor
 2018/0113476 A1 4/2018 Giles
 2018/0124796 A1 5/2018 Noh
 2018/0146359 A1 5/2018 Pawar
 2018/0270798 A1 9/2018 Park
 2018/0270800 A1 9/2018 Park
 2018/0279326 A1 9/2018 Park
 2019/0008345 A1 1/2019 Schmidt
 2019/0025842 A1 1/2019 Kim
 2019/0141507 A1 5/2019 Wang
 2019/0150198 A1 5/2019 Sun
 2019/0158257 A1 5/2019 Sano
 2019/0159284 A1 5/2019 Noor
 2019/0166244 A1 5/2019 Ravichandran
 2019/0239040 A1 8/2019 Va
 2019/0243371 A1* 8/2019 Nister B60W 30/09
 2019/0250622 A1* 8/2019 Nister B60R 1/00
 2020/0120470 A1 4/2020 Arshad

FOREIGN PATENT DOCUMENTS

WO 2017105545 6/2017
 WO 2017192358 11/2017

OTHER PUBLICATIONS

“Emergency”, OnStar, Retrieved from: <https://www.onstar.com/us/en/services/emergency.html> Retrieved on: Nov. 9, 2016 (4 pages total).
 Emison, J. Kent, “Post-collision fuel-fed fires.”, Apr. 1, 2005, The Free Library, Retrieved Nov. 9, 2016, Retrieved from: <https://www.thefreelibrary.com/Post-collision+fuel-fed+fires.a016859548> (5 pages).

* cited by examiner

FIG. 1

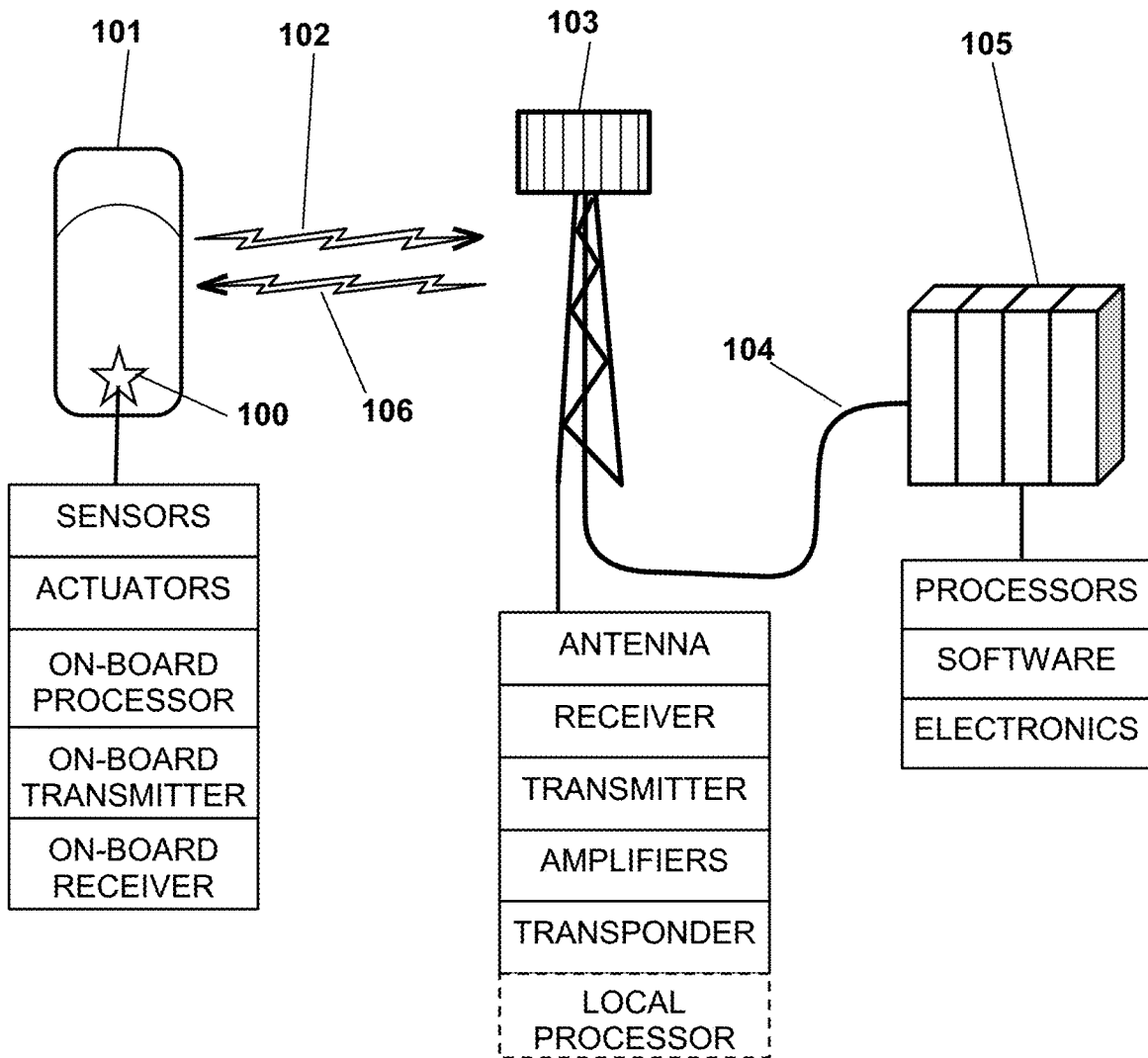


FIG. 2A

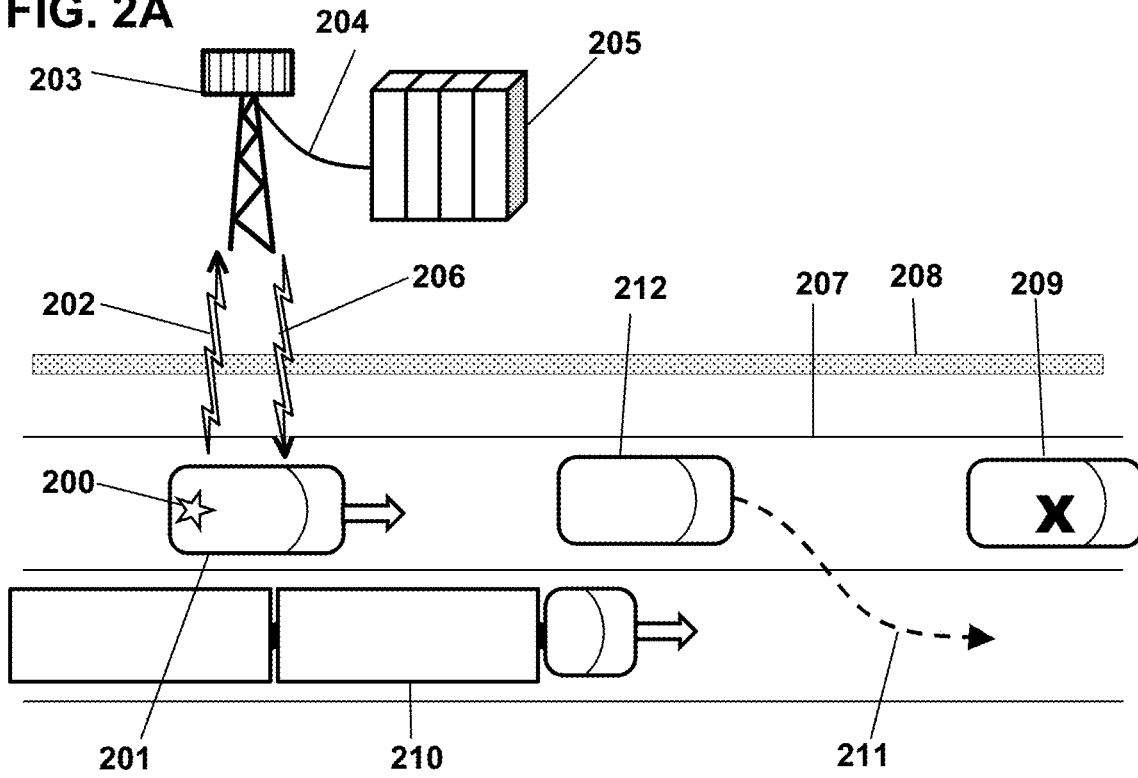


FIG. 2B

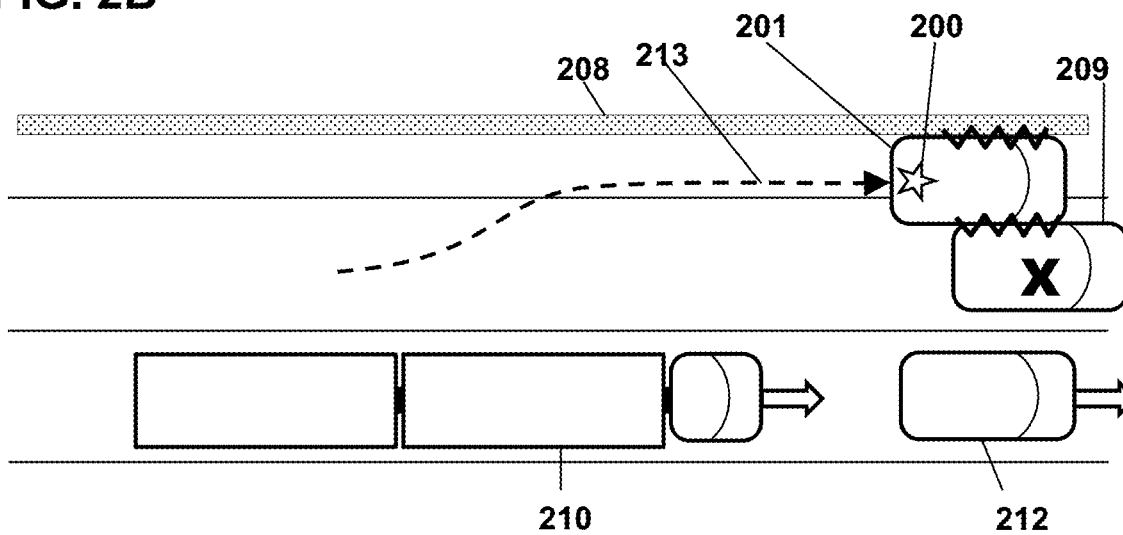


FIG. 2C

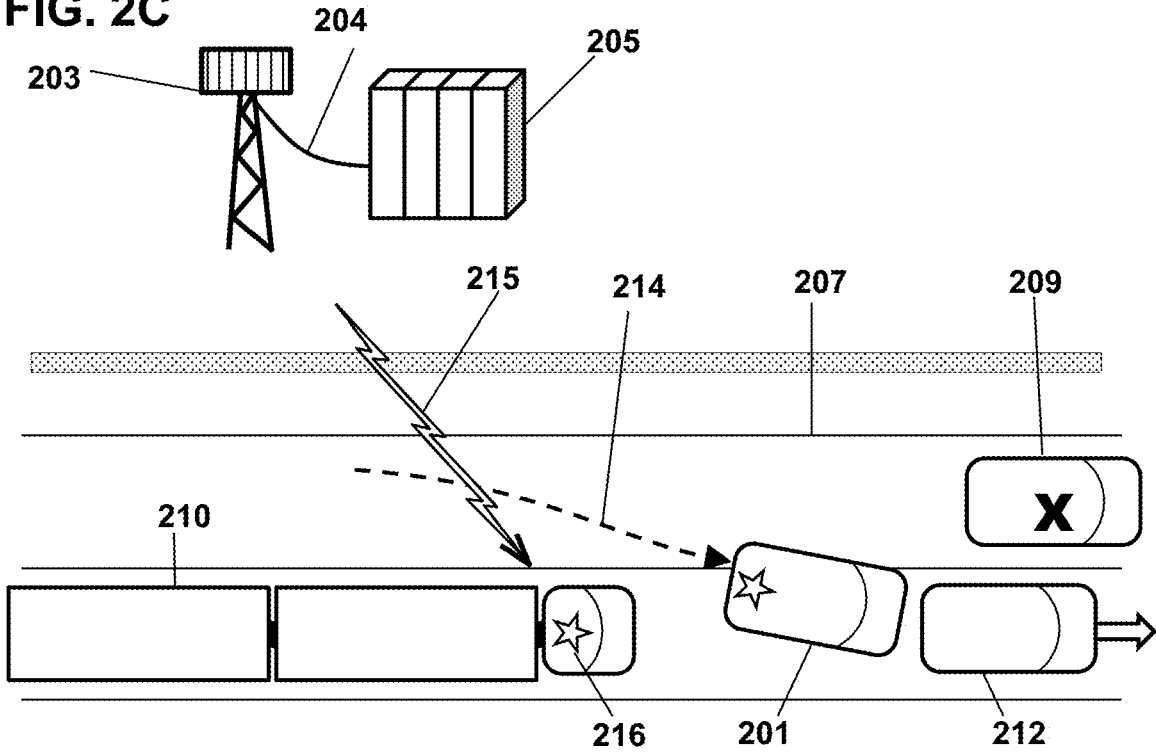


FIG. 2D

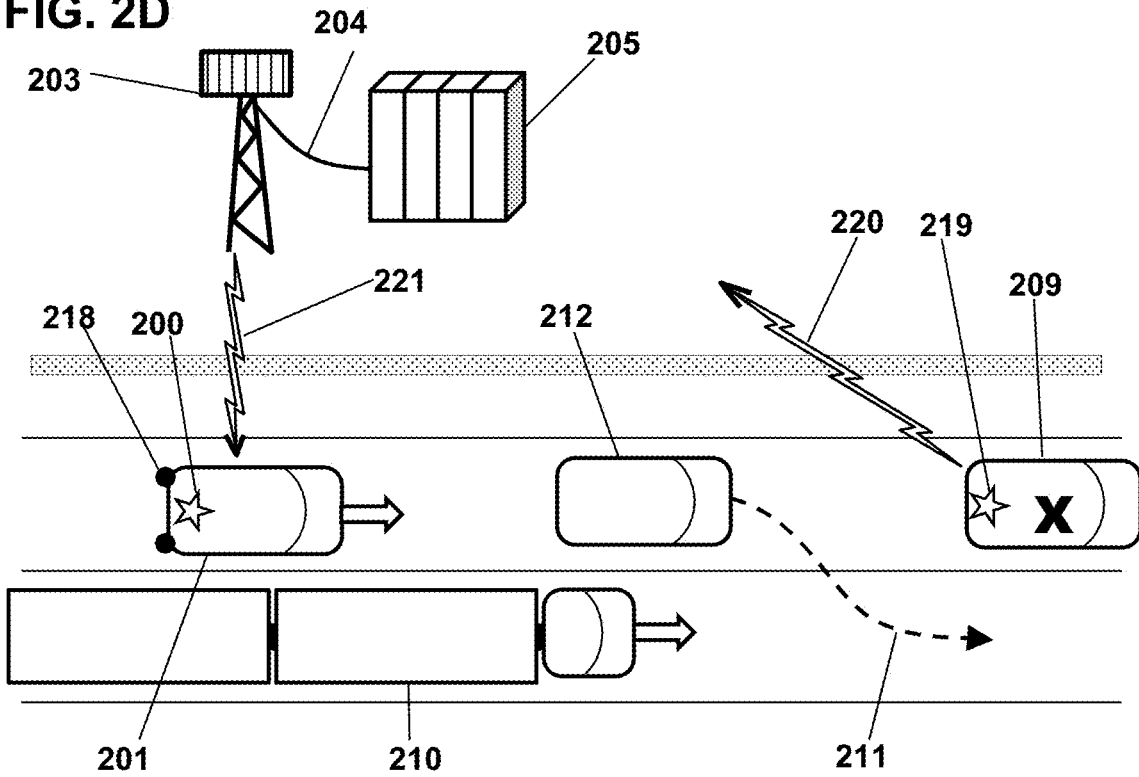


FIG. 3

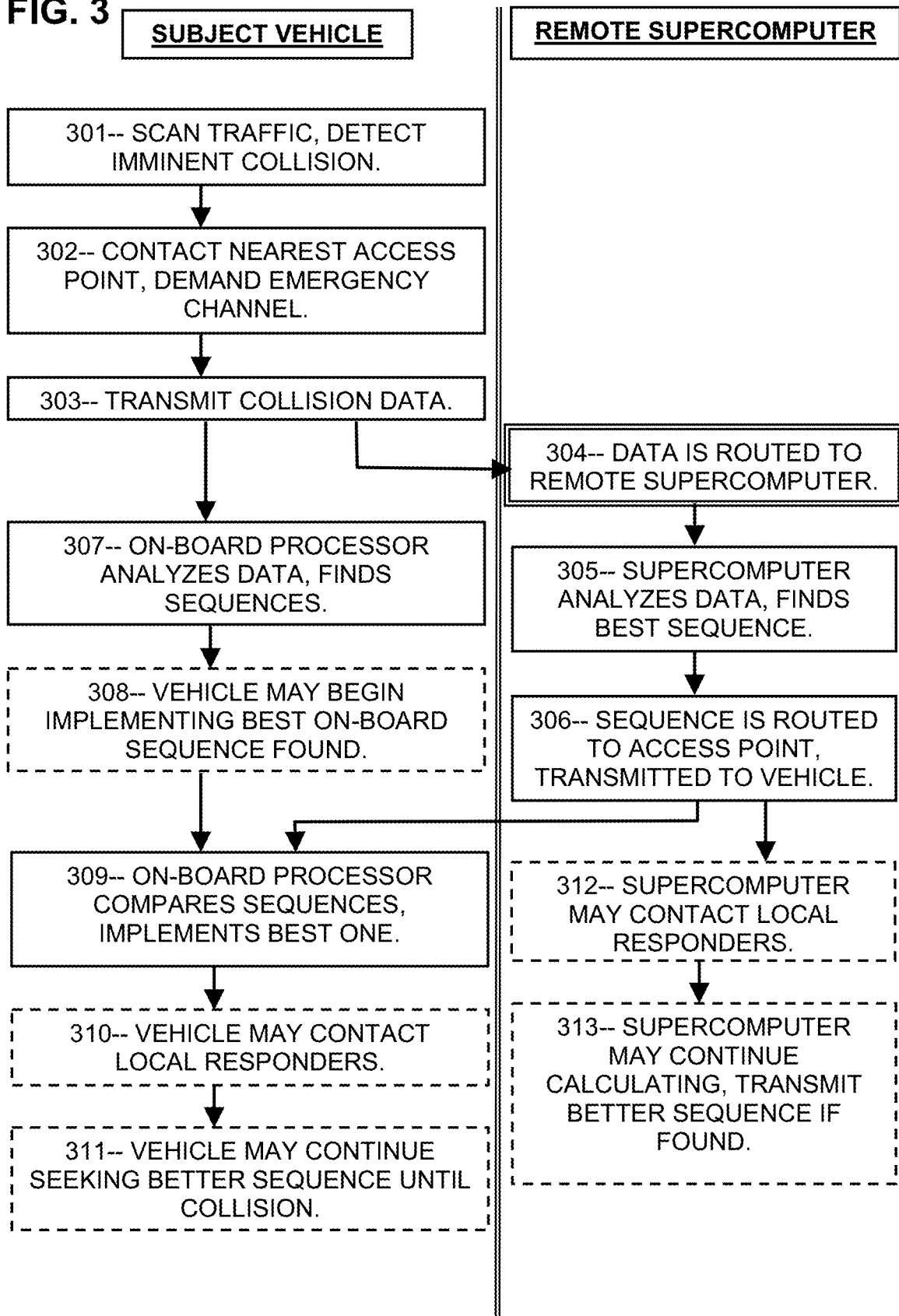
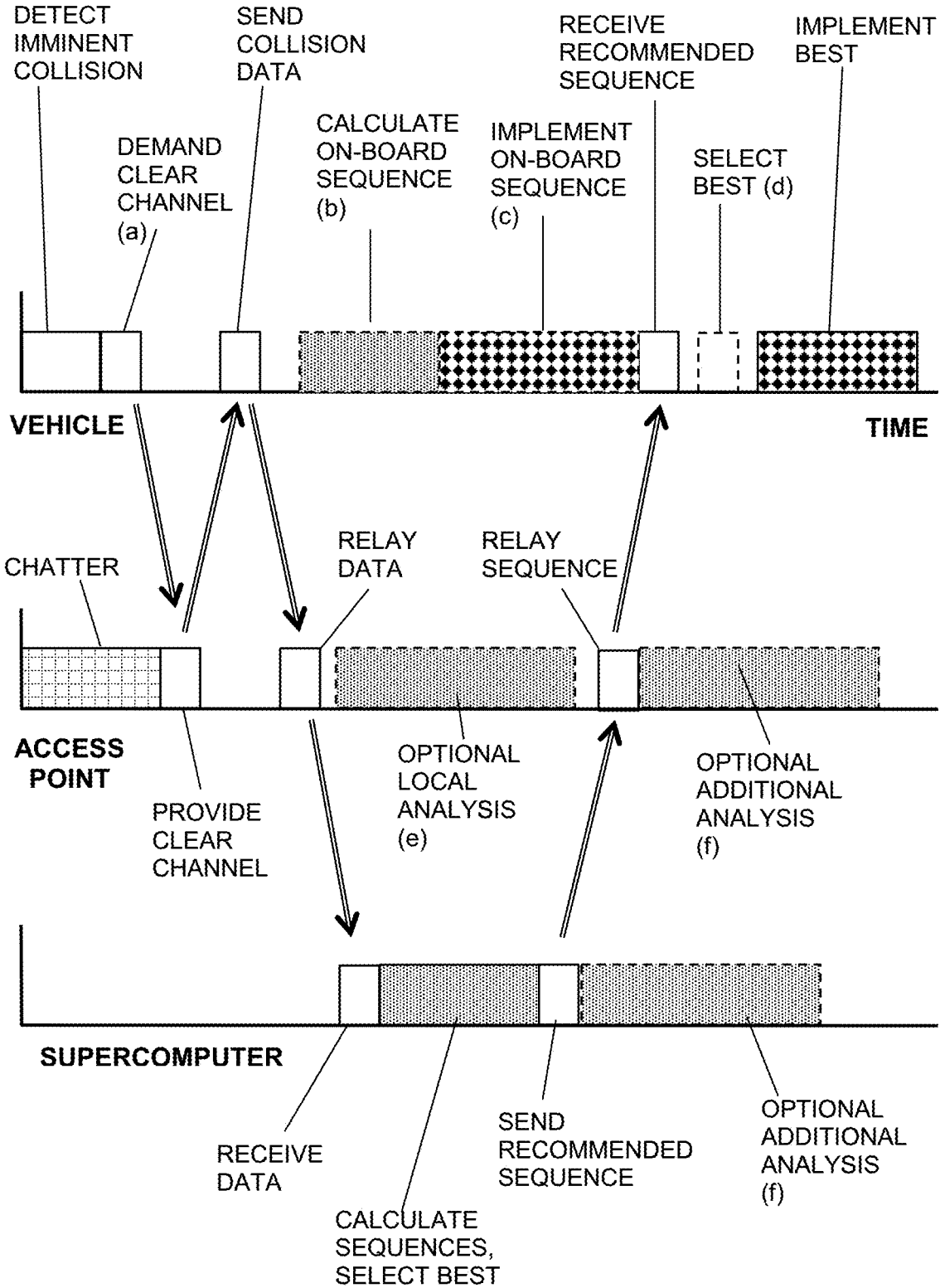


FIG. 4



RAPID WIRELESS COMMUNICATION FOR VEHICLE COLLISION MITIGATION

CROSS REFERENCE TO RELATED APPLICATION

This application claims the benefit of U.S. Provisional Application Ser. No. 62/861,055, filed Jun. 13, 2019 entitled “Rapid Wireless Communication for Vehicle Collision Mitigation”, the contents of which are incorporated herein by reference in entirety. This application is also related to U.S. Pat. No. 9,896,096, issued Feb. 20, 2018 entitled “SYSTEMS AND METHODS FOR HAZARD MITIGATION” and U.S. patent application Ser. No. 16/148,390, filed Oct. 1, 2018 entitled “Blind Spot Potential-Hazard Avoidance System” and U.S. patent application Ser. No. 16/390,219, filed Mar. 22, 2019 entitled “Autonomous Vehicle Localization System”, the contents of which are incorporated herein by reference in their entireties.

FIELD OF THE INVENTION

The invention relates to systems and methods for mitigating vehicle collisions, and more particularly for use of rapid wireless communication technology and supercomputers to avoid collisions, and to minimize the harm of collisions when unavoidable.

BACKGROUND OF THE INVENTION

Most traffic collisions could be avoided if definitive action is taken quickly enough, while harm from those collisions that are truly unavoidable could be minimized by actively managing the interaction in real-time. However, at freeway speeds, human reflexes are not fast enough and human judgment not sufficient. Instead, electronic reflexes and speed-of-light signal propagation are needed to enable a wide range of collision mitigation options. A suitable collision-avoidance or harm-minimization action must be planned and controlled. Typically thousands or millions of possible actions must be analyzed and compared, depending on the parameters of each particular collision scenario. A supercomputer would be needed to rapidly evaluate the imminent collision, review prior mitigation attempts, create new plans tailored to the current emergency, select the best option, and begin implementing it, all of which must be performed before the vehicles actually collide. Since vehicles generally do not have supercomputers on-board, it is not possible to find the best avoidance strategy in a brief time-to-collision, leading to many unnecessary collisions and thousands of fatalities.

What is needed is means for a vehicle, facing an imminent collision, to obtain the most effective collision-mitigation strategy, quickly enough for it to be implemented.

This Background is provided to introduce a brief context for the Summary and Detailed Description that follow. This Background is not intended to be an aid in determining the scope of the claimed subject matter nor be viewed as limiting the claimed subject matter to implementations that solve any or all of the disadvantages or problems presented above.

SUMMARY OF THE INVENTION

In a first aspect, a system for mitigating an imminent collision includes a subject vehicle, a land-based receiver, a land-based transmitter, and a supercomputer, wherein the

subject vehicle is configured to detect, with sensors mounted in or on the subject vehicle, an imminent collision with a second vehicle, and to transmit a wireless request message specifying imminent collision data. The land-based receiver is configured to receive the wireless request message and to transfer the imminent collision data to the supercomputer. The supercomputer is configured to calculate a recommended sequence of actions for mitigating the collision, and to transfer the recommended sequence of actions to the land-based transmitter. The land-based transmitter is configured to transmit a wireless response message specifying the recommended sequence of actions. The subject vehicle is configured to receive the wireless response message and implement the recommended sequence of actions.

In a second aspect, a method for mitigating collisions includes detecting, with sensors mounted in or on a subject vehicle, an imminent collision; transmitting a wireless request message that specifies data related to the imminent collision; receiving, in a land-based receiver, the first wireless message; transferring the data related to the imminent collision from the land-based receiver to a computer; calculating, in the computer, a plurality of sequences of actions and selecting, from the sequences of actions, a recommended sequence of actions that avoids the collision or minimizes the harm of the collision; transferring the recommended sequence of actions from the computer to a land-based transmitter; transmitting, from the land-based transmitter to the subject vehicle, a wireless response message specifying the recommended sequence of actions; and implementing the recommended sequence of actions.

In a third aspect, a system for mitigating vehicle collisions includes a supercomputer configured to calculate a recommended sequence of actions, a land-based access point configured to transmit and receive wireless messages with vehicles in motion, and a subject vehicle including an on-board processor, an on-board transmitter, and an on-board receiver. The on-board processor is configured to detect an imminent collision. The on-board transmitter is configured to transmit a wireless request message that includes imminent collision data. The land-based access point is configured to receive the wireless request message, and to transfer the imminent collision data to the supercomputer. The supercomputer is configured to calculate a recommended sequence of actions to avoid the collision or to minimize the harm of the collision, and to transfer the recommended sequence of actions to the land-based access point. The land-based access point is configured to transmit a wireless response message that includes the recommended sequence of actions. The on-board receiver is configured to receive the wireless response message, and the on-board processor is configured to implement the recommended sequence of actions.

This Summary is provided to introduce a selection of concepts in a simplified form. The concepts are further described in the Detailed Description section. Elements or steps other than those described in this Summary are possible, and no element or step is necessarily required. This Summary is not intended to identify key features or essential features of the claimed subject matter, nor is it intended for use as an aid in determining the scope of the claimed subject matter. The claimed subject matter is not limited to implementations that solve any or all disadvantages noted in any part of this disclosure.

These and other embodiments are described in further detail with reference to the figures and accompanying detailed description as provided below.

BRIEF DESCRIPTION OF THE DRAWINGS

FIG. 1 is a schematic indicating parts of an exemplary system for mitigating collisions with assistance of a super-computer, according to some embodiments.

FIG. 2A is a sketch showing an imminent collision including a vehicle with an exemplary collision mitigation system, according to some embodiments.

FIG. 2B is a sketch of the scenario of FIG. 2A, showing an exemplary mitigation, according to some embodiments.

FIG. 2C is a sketch of the scenario of FIG. 2A, showing a different mitigation strategy, according to some embodiments.

FIG. 2D is a sketch of the scenario of FIG. 2A, showing how an exemplary local access point can prevent a collision, according to some embodiments.

FIG. 3 is a flowchart showing an exemplary method for mitigating collisions with assistance of a supercomputer, according to some embodiments.

FIG. 4 is a time-sequence chart showing assistance by an exemplary supercomputer, according to some embodiments.

DETAILED DESCRIPTION

Systems and methods are disclosed that enable autonomous or semi-autonomous vehicles to avoid or minimize imminent collisions, with assistance from a land-based computer or a remote supercomputer, using fast communication technology such as 5G or higher. Embodiments of a “collision-mitigation system” according to present principles may include a “subject” vehicle configured to transmit and receive wireless messages, a computer or supercomputer configured to perform collision mitigation calculations, and high-speed communication technology configured to relay messages between the subject vehicle and the computer or supercomputer. The subject vehicle may be configured to detect the imminent collision and to transmit data about the imminent collision, using the high-speed communication technology, to a land-based access point such as a 5G base station, which may then relay the data to a land-based computer or a remote supercomputer. The computer or supercomputer may be configured to calculate a sequence of actions for mitigating the imminent collision, and to communicate the sequence back to the subject vehicle via the land-based access point or base station. The subject vehicle may be configured to implement the sequence of actions by causing steering, accelerating, and/or braking actions according to the sequence, thereby mitigating the imminent collision.

As used herein, a “collision” is physical contact between the subject vehicle and another vehicle or another object. An “imminent” collision is a collision which is projected to occur within a short time interval if no evasive actions are taken by the subject vehicle, the short time interval being 1 second or 5 seconds or 10 seconds for example. “Mitigating” an imminent collision means avoiding the collision if avoidable and minimizing the harm of the collision if unavoidable. “Harm” is a calculated total negative effect, which may include estimates for loss of life, bodily injury, and property damage, wherein each estimate may be multiplied by a respective predetermined weighting factor and optionally by a probability factor. The probability factor may be replaced by a full probability analysis, e.g., using Bayesian inference, with total harm as an output and the probability of such harm as a multiplier. Logistic regression or like machine learning may be employed to personalize the expected effects to a user, e.g., to take into account typical user responses, to the

extent the autonomous vehicle has some human input. A vehicle is “autonomous” when it is operated entirely or primarily by an on-board processor with no, or at most occasional, input from a human. A vehicle is “semi-autonomous” if it is operated with inputs from both a human and a processor, such as a speed-control system, an automatic-braking system, a lane-keeping system, and the like. A vehicle with an automatic emergency intervention system, of the type that operates the vehicle temporarily in an emergency and then returns control to a human, is considered autonomous during the time that the processor is in control. The subject vehicle may be autonomous or semi-autonomous. A “second” vehicle is another vehicle (or sometimes another object) with which an imminent collision with the subject vehicle is projected to occur. A computer or transmitter or receiver is “land-based” if it is not on-board the subject vehicle. A computer is a “supercomputer” if the computer is capable of performing many more calculations per second than commonly available computers; examples are provided below. “5G” means fifth generation cellular network technology that provides broadband access. “Latency” in communications means the time between transmission and reception of a message. A “sequence of actions” is a series of instructions for mitigating the collision, in which each instruction specifies an action such as an acceleration, braking, or steering of the subject vehicle, or a waiting interval, or other action that the subject vehicle can implement. The sequence may include an intensity and/or a time period for each action, such as “brake at 5 m/s^2 for 2 seconds”. The sequence may include conditionals or branches, such as “steer left until clear of the second vehicle, then steer right until traveling parallel to the lane”. The actions may include non-kinetic actions such as “sound the horn and illuminate the brake lights” or “send a help-request message to emergency responders”, according to some embodiments. The “cloud” is a network of servers configured to provide online services such as data storage and/or computation, generally transparently to the user. If the collision is avoidable, the “best” sequence is the particular sequence that avoids the collision with the highest probability or lowest acceleration or other criterion. On the other hand, if the collision is unavoidable, the best sequence is the particular sequence that results in the least harm. A collision is “avoidable” if any of the sequences can avoid it, and “unavoidable” otherwise. An imminent collision may be judged unavoidable initially, and then may become avoidable if a suitable sequence is subsequently discovered. Alternatively, an imminent collision that initially appears to be avoidable may become unavoidable if the avoidance strategy does not go well, e.g., if unpredicted unforeseeable intervening events occur.

Embodiments of the collision-mitigation system may include an on-board processor and an on-board wireless transmitter and an on-board wireless receiver (which may be configured as a transceiver) on the subject vehicle. The on-board processor may be configured to detect an imminent collision and to transmit data about the imminent collision to the supercomputer using, for example, wireless technology. For example, the wireless technology may include high-speed minimal-latency mobile network technology such as 4G or 5G or higher, or a dedicated (non-network) emergency response communication technology, or other wireless means for sending and receiving messages. The on-board processor (or other processor) may request or demand maximum-speed communication such as an unshared data transfer link with minimal latency for the emergency response. The subject vehicle may communicate wirelessly

with a land-based access point (such as a cellular tower or a 5G base station or the like) which may include a land-based receiver, a land-based transmitter, a land-based processor, and other electronics for wirelessly communicating with the subject vehicle and for transferring data to the computer. The computer (such as a land-based computer or a remote supercomputer or a plurality of networked servers in the “cloud”) may be configured to analyze the imminent collision data, calculate a sequence of actions to mitigate the collision, and transmit the recommended sequence back to the subject vehicle, generally using a land-based access point as a relay station. The subject vehicle may be configured to receive the recommended sequence and implement it by actuating the brakes, accelerator, and steering of the subject vehicle as specified in the recommended sequence.

In some embodiments, the on-board processor may be configured to calculate a local or on-board sequence of actions (independently of the supercomputer) by analyzing the imminent collision data after transmitting the imminent collision data in the wireless request message (that is, at the same time that the supercomputer is also working). After receiving the recommended sequence from the supercomputer, the on-board processor may be configured to compare the on-board sequence and the recommended sequences (that is, compare the best sequences found by the on-board processor and by the supercomputer). The on-board processor may be configured to select the best one of those sequences, and may implement the selected sequence. Alternatively, or in addition, the on-board processor may begin implementing its favored on-board sequence when found, even before receiving the recommended sequence from the supercomputer. In that case, the on-board processor may subsequently compare the two favored sequences and may switch to the sequence recommended by the supercomputer if it is better than the currently implemented sequence. Alternatively, or in addition, the land-based access point may include a local processor configured to calculate mitigation sequences and transmit a “local” sequence to the subject vehicle, in parallel with the remote computer, in which case the on-board processor can select whichever of the on-board sequence and the local sequence provides the best mitigation.

Turning now to the figures, FIG. 1 is a schematic illustration of an exemplary collision-mitigation system according to the present disclosure. Embodiments of the system may include a subject vehicle **101**, wireless signals including a wireless request message **102** and a wireless response message **106**, a land-based access point **103** including an antenna for the wireless signals **102** and **106**, data transfer means **104** such as an electrical or fiber-optic cable or a microwave link or other communication means, and a computer or supercomputer **105**. The subject vehicle **101** may include an autonomous control system **100** (depicted as a star) including sensors, actuators, an on-board processor, an on-board transmitter, and an on-board receiver. The autonomous control system **100** may be configured to send the wireless request message **102** upon detecting an imminent collision. The wireless request message **102** may include a request for emergency computational assistance and/or a request for an uncontested direct communication channel to the supercomputer **105** via the land-based access point **103**. The wireless request message **102** may further include data about the imminent collision, or alternatively the imminent collision data may be provided in a second transmission after receiving an acknowledgement from the land-based access point **103**. In the following examples, the imminent

collision data is assumed to be included in the initial wireless request message **102**, unless otherwise indicated.

The land-based access point **103** may include an antenna, a land-based receiver, and a land-based transmitter configured to communicate with the subject vehicle **101**, additional electronics such as amplifiers etc., a transponder configured to transmit the imminent collision data to the supercomputer **105** via the data transfer means **104**, and to receive the recommended sequence via the data transfer means **104**. The land-based access point **103** may optionally (shown in dash) include a local processor or computer configured to analyze traffic data and select suitable sequences to mitigate potential traffic hazards. The land-based access point **103** may transfer the imminent collision data to the supercomputer **105** for processing. To save time, the land-based access point **103** may begin relaying the data while still receiving the wireless request message **102**, instead of waiting until the wireless request message **102** has completed.

The remote computer or supercomputer **105** may include one or more (usually many thousands) of processors, software or firmware suitable for calculating sequences to mitigate collisions, and electronics to interface with the data communication means **104**. As mentioned, the supercomputer **105** may include one or more servers (or the like) in the “cloud”, configured to provide calculational services online, and preferably configured to provide priority status to time-critical traffic emergencies. The supercomputer **105** may be configured to calculate a recommended sequence of actions to mitigate the imminent collision, and may transfer the recommended sequence (or additional sequences) to the land-based access point **103**. The land-based access point **103** may be configured to transmit a wireless response message **106** to the vehicle **101** including the recommended sequence information.

In some embodiments, the subject vehicle **101** may include an autonomous control system **100** including an on-board processor, an on-board receiver, an on-board transmitter, internal and external sensors, and actuators. The on-board processor may be an electronic digital calculating device or a plurality of such devices, such as a CPU, GPU, ASIC, microcontroller, or other calculating devices suitable for processing sensor data and detecting imminent collisions. The on-board transmitter and on-board receiver may be configured to communicate wirelessly using, for example, 4G or 5G or another high-speed low-latency communication protocol. The sensors may include internal sensors configured to monitor or measure parameters internal to the subject vehicle such as the speed, state of the brakes and steering, and the like. The sensors may further include external sensors configured to measure parameters external to the subject vehicle such as cameras configured to detect other vehicles, radar or lidar or sonar or other distance-measuring sensors, and the like. (The internal and external sensors may be mounted anywhere on or in the subject vehicle, irrespective of the internal-external labels used here.) The actuators may include computer-operable transducers or the like, configured to control the subject vehicle’s brakes, steering, throttle (or whatever applies power), and the like. The actuators may also accommodate human inputs when provided by a human driver.

In some embodiments, the wireless request message **102** (or a separate wireless message) may include a request to obtain exclusive use of a data transfer channel, justified by the extreme time-critical emergency. The wireless request message **102** may also include a time period for the exclusivity, based for example on an estimate of the time-to-

collision as determined by the on-board processor using the imminent collision data. Alternatively, the exclusivity may be requested just for the initial transfer of the imminent collision data, in which case the exclusivity should be renewed by the supercomputer **105** for the transfer of the recommended sequence to the land-based access point **103**.

In some embodiments, the land-based access point **103** may include an antenna suitable for receiving the wireless request message **102**. The land-based access point **103** may use the same antenna, or a different antenna, for transmitting the wireless response message **106** to the subject vehicle **101**. The land-based access point **103** may include a land-based receiver and a land-based transmitter (or a transceiver) suitable for receiving the wireless request message **102** and transmitting the wireless response message **106**. The land-based access point **103** may include other analog and/or digital electronics such as amplifiers, filters, switches and the like, as well as a transponder or the like configured to transfer the imminent collision data to the supercomputer **105** using the data transfer means **104**. For example, the land-based access point **103** may be a wireless communication node or base station of a 5G network, another type of cellular network, a dedicated transceiver reserved for collision mitigation, or other suitable interface electronics configured to receive and transmit wireless messages to and from vehicles in motion.

In some embodiments, the land-based access point **103** may be configured to transfer imminent collision data and recommended sequences to and from the supercomputer **105** using a high-speed low-latency communication technology, which may be wireless or cabled or a mixture of the two. For example, the data transfer means **104** may include a cable such as a coaxial electrical cable, a fiber-optic cable, or other device or system for transferring the imminent collision data to the supercomputer **105**. In addition, the data transfer means **104** may include one or more wireless links such as 5G transfer links, or elements of a faster communication technology, or microwave beams, or optical communication devices, or other communication technology currently known or discovered in the future. The data transfer means **104** may be duplex (using a single cable or the like to transfer data bidirectionally), or it may include parallel unidirectional beams or cables, or other arrangement suitable for transferring the imminent collision data and the recommended sequence of actions between the land-based access point **103** and the supercomputer **105**. If additional electronics or beams or cables or the like are needed to convey data between the land-based access point **103** and the supercomputer **105**, such additional elements are collectively included in the transfer means **104**.

In some embodiments, the land-based access point **103** may include a local processor configured to analyze traffic data, recognize imminent hazards, select a suitable mitigating sequence, and wirelessly transmit the mitigating sequence to one or more vehicles. For example, the local processor may calculate a mitigating sequence in response to an emergency message from a vehicle, such as the wireless request message **102**. The land-based access point **103** may include, or have access to, one or more cameras and/or microphones and/or other sensors configured to monitor traffic. The local processor may detect a hazardous situation based on measurements of vehicle speeds and/or accelerations, or from acoustical information such as the sound of brakes and tires, or other data indicating that a hazard is present or imminent. The local processor may select, from a predetermined set of responses according to the hazard detected, a suitable warning, and may transmit that warning,

or an associated sequence of actions, to vehicles in range. The warning may be a simple message such as “hazard in roadway, slow down and prepare to stop!”. Depending on the computational power of the local processor, further hazard analysis and sequence selection may be possible, in which case a more specific warning message may be transmitted to vehicles configured to receive it. Vehicles configured to receive such warning messages may include autonomous vehicles having an on-board receiver or human-operated vehicles having an automatic emergency intervention system able to respond to such warnings. As a further example, a human-operated vehicle may be configured to receive warnings from the land-based access point **103** and automatically play those warnings using the vehicle’s sound system so that the human driver may respond appropriately to the warning.

In some embodiments, the supercomputer **105** may include one or more computers, one or more supercomputers, a computer cluster, a server, a server “farm”, or other calculating device or system suitable for analyzing the imminent collision data and calculating a sequence of actions configured to mitigate the imminent collision. The supercomputer **105** may include multiple computers or supercomputers at different locations, all working on the sequence calculations at the same time (with each computer preferably analyzing different sequences and being coordinated by a central computer or the like). The multiple computers may include a “local” computer or processor associated with the land-based access point **103**, and/or a “regional” computer accessible from a larger area such as a state, and/or a “national” computer such as a supercomputer accessible nationwide, or other arrangement of computers. The supercomputer **105** may include software or firmware or the like, configured to analyze the imminent collision data and calculate sequences of actions to mitigate the collision. The supercomputer **105** may include electronics, such as signal processing electronics, configured to extract the imminent collision data from the data transfer means **104**, and further electronics configured to send the recommended sequence of actions back along the data transfer means **104**. Preferably the supercomputer **105** is powerful enough and fast enough to calculate an effective sequence in a time short compared to the time-to-collision, or at least short enough that the subject vehicle **101** can implement it and thereby mitigate the collision.

In some embodiments, each sequence of actions may specify one or more intervals of acceleration, braking, steering, or waiting, including the intensity and duration of each action. The actions may be sequential, or they may be concurrent such as steering and braking at the same time, or they may be staged or overlapping by various amounts. Such overlapping or concurrent instructions are referred to as “sequences” herein, notwithstanding that some actions may overlap in time. Thus, the definition of “sequential” is to include not just actions separated in time and one after another but also those that are at least partially overlapping in time. To calculate, or discover, or derive the recommended sequence of actions, the supercomputer **105** may consider many alternative sequences, and may calculate the effects of each particular sequence by calculating future trajectories for the various vehicles, including the subject vehicle **101** being accelerated and decelerated according to each sequence in turn. The supercomputer **105** may use a kinetic model or other software to project the positions and speeds of the vehicles forward in time, thereby determining which sequence may avoid the collision. If multiple such sequences are found to avoid the collision, the supercom-

puter **105** may select a best sequence based on minimizing the amount of acceleration or braking or steering involved, or based on maximizing the probability of success given that the future actions of the other vehicles are not yet known, or other criteria. Alternatively, the supercomputer **105** may be configured to recommend the first avoidance sequence that it finds (that is, the first sequence that is projected to avoid the collision), or the lowest-harm sequence so far discovered (if none are avoidable), so that the subject vehicle **101** can get started on it as soon as possible.

If, on the other hand, none of the sequences (so far calculated) can avoid the collision, then the imminent collision is termed unavoidable, in which case the supercomputer **105** may recommend a “least-harm” sequence. For example, the supercomputer **105** may be configured to calculate a harm value associated with each sequence that results in a collision, and may recommend the particular sequence that is calculated to cause the least amount of harm among all of the sequences so far analyzed. In calculating the harm, the supercomputer may employ a dynamical model of the collision such as a 3-dimensional simulation of vehicle structures being stressed by the collision forces. The harm calculation may determine the peak acceleration and/or the peak jolt (“jolt” equals the rate-of-change of acceleration) experienced by the passengers, and other collision factors affecting the expected number of fatalities, injuries, and property damage caused by the collision. The harm calculation, including the dynamical modeling, may be repeated for each of the sequences.

In some embodiments, the supercomputer **105** may be configured to communicate the best sequence so far obtained to the subject vehicle at a particular time. The supercomputer **105** may continue to calculate further sequences in an ongoing attempt to find a better sequence, up until the projected time-to-collision or other deadline. If a better sequence is found, such as a sequence that converts a previously unavoidable collision into an avoidable one, or a sequence that results in significantly less harm, then the supercomputer **105** may send that improved sequence to the subject vehicle **101**, and the subject vehicle **101** may switch to it, if still possible. In addition, the supercomputer **105** may be configured to include the actions that the subject vehicle **101** has already performed while implementing the first-recommended sequence, and thereby make the improved or second-recommended sequence doable by the subject vehicle **101**. For example, if the first recommended sequence is to accelerate and turn left, while the improved sequence is to decelerate and turn right, it may be difficult for the subject vehicle **101** to accomplish in a short time.

In some embodiments, the on-board processor of the subject vehicle **101** may analyze its own version of sequences, working in parallel with the supercomputer **105**. Then, after receiving the response message **106** specifying the recommended sequence, the on-board processor can compare the recommended sequence with its own best result, and thereby select the most effective of all the sequences for implementation. In addition, as the scenario evolves and conditions change, the on-board processor may send additional wireless messages to the supercomputer **105** indicating which sequence is being implemented, the actual positions and velocities of the various vehicles, and further relevant data at various times during the implementation period, so that the supercomputer **105** can adjust its continuing sequence exploration using the corrected and updated parameters.

Many imminent collisions have a short time-to-collision such as 1 second or 5 seconds or 10 seconds. If the collision

is avoidable, then clearly the subject vehicle should receive the recommended sequence in time to implement it. If the collision is unavoidable, the response time is even more critical since the amount of harm generally increases rapidly with delay. For these reasons and others, it is critical that the imminent collision data be transferred very quickly to the supercomputer **105**; it is crucial that the supercomputer **105** be powerful enough to determine an effective sequence in a very short time; and it is crucial that the sequence then be transferred back to the subject vehicle **101** very quickly.

The wireless request and response messages **102-106** must therefore be brief, communicated rapidly, at high bit rate and with minimal latency. In some embodiments, the messages may be encoded for brevity to minimize transmission time, using for example a terse bit-pattern code for expected parameters such as angles, distances, velocities of other vehicles and the like. The wireless request message **102** may demand a dedicated communication channel to avoid being hindered by other lower-priority messages. In some embodiments, the wireless request message **102** can demand an exclusive communication channel extending from the subject vehicle **101** through the land-based access point **103** directly to the supercomputer **105**. In that case, other lower-priority activity on the requested channel may be dropped, typically without warning and without hesitation. The exclusivity may be maintained throughout the imminent collision period so that the subject vehicle **101** can update the supercomputer **105** with current parameters at will, and the supercomputer **105** can transfer successively improved sequences back to the subject vehicle **101** unrestricted. However, if the exclusivity request has expired by the time the supercomputer **105** is ready to send the recommended sequence back, the supercomputer **105** may again demand the exclusive and unhindered channel through to the subject vehicle **101**.

With advanced communication technology such as 5G and others, latencies as short a 1-10 milliseconds are achievable, and this can be reduced further (less than 1 millisecond) with dedicated electronics to respond to emergencies. The wireless request message **102** may be condensed into a small data package, such as 1 megabyte or less in most cases. Preferably there is no need to send images or other large files. For example, the on-board processor may prepare the imminent collision data to include the locations, bearing, and speed of the other vehicles relative to the subject vehicle, plus an encoded description of the roadway as, for example, single-lane, two-way, divided freeway, and the like. 5G technology can have a transfer rate of 1-10 gigabits per second (sometimes higher); hence the 1 megabyte wireless request message **102** (totaling about 10 megabits including parity, start and stop icons, and other necessary attachments) may be transferred in 1-2 milliseconds after latency. The wireless response message **106** is likely much smaller than the imminent collision data in most cases, but will be assumed here to take an additional 1-2 milliseconds. Additional few milliseconds may be needed for readiness verification and other hand-shaking.

To achieve the necessary speed and computing power, in some embodiments, the supercomputer **105** may include a large number of processing units (or “cores”) operating in parallel, such as 10,000 or 100,000 or 1,000,000 cores or more. Each core may be driven at a high clock speed such as 4 or 5 GHz or even more in a brief “burst” mode. The computational capability may be measured in “flops” (floating-point operations per second), or more conveniently in “petaflops” (1 petaflop equals 1 thousand million million or one quadrillion or 10^{15} floating-point operations per sec-

ond). For example, the supercomputer **105** may have a capability of 0.1 or 10 or 100 petaflops or more. To consider a specific scenario, the supercomputer **105** may require a large number of floating-point operations, such as 10 million floating point operations, to analyze each sequence. This many floating-point operations may be needed to project the vehicle motions forward in time, perform collision analysis including dynamical modeling of the effects of collision, and calculating the harm for example. Furthermore, in searching for an effective sequence to mitigate a complex collision scenario, the supercomputer **105** may need to calculate a large number, such as 10 million, different sequences before selecting one to recommended for the collision scenario at hand. With those numbers, then, the total number of floating-point operations required for the response equals 10^{14} operations. A computer with a 1-petaflop computational capability can do this in 100 milliseconds (0.1 second).

The total response time is then found by adding the expected latencies, message transfer rates, possible handshaking, and computation interval. With the assumptions listed above, the time required from the initial wireless help request message **102** to the supercomputer beginning its search, is likely well below 50 milliseconds, the search time is 100 milliseconds as mentioned, and the time to get the recommended sequence back to the subject vehicle **101** is less than 50 milliseconds, or 200 milliseconds in all (0.2 seconds). Mitigating a more complex collision scenario involving several vehicles and environmental objects may take longer, perhaps 0.5 seconds. For comparison, most human drivers require at least 0.7-1.2 seconds to execute a panic reflex action such as simply hitting the brakes. The collision-mitigation system with supercomputer assistance may thus provide a better sequence of actions than any human could figure out in the available time, and faster than any human could react, and begin implementing it automatically before a human driver could even hit the brakes. The system may thereby avoid many unnecessary collisions and save countless lives.

FIG. 2A is a notional sketch of a collision scenario including an exemplary system for mitigating collisions. A subject vehicle **201** is traveling in a multilane divided highway. Lane lines **207** demark two lanes going in the same direction, separated from the opposite lanes (not shown) by a concrete barrier **208**. A stalled vehicle **209** (marked by an X) has stopped in lanes, but the subject vehicle's autonomous computer or driver is unaware of the hazard because the view is obscured by an intervening vehicle **212**. The intervening vehicle **212** quickly changes lanes as indicated by a dashed arrow **211**, which suddenly reveals the stalled vehicle **209**. This kind of "sudden-reveal" is a common and very dangerous situation because it leaves insufficient time for the approaching vehicles to react. In this case, the subject vehicle **201** is going too fast to stop before hitting the stalled vehicle **202**. The on-board processor calculates that the subject vehicle **201** will collide with the stalled vehicle **209** at a dangerously high speed even if the brakes are applied immediately and maximally. The collision will subject the occupants of both vehicles to high peak accelerations and peak jolt, sufficient to cause serious injury or death. Unfortunately, the subject vehicle **201** cannot change lanes because a long truck **210** is in the way. The subject vehicle **101** cannot swerve around the stalled vehicle **209** on the left because there is not enough space between the concrete divider **208** and the stalled vehicle **209**. In this situation, most human drivers (and most prior-art autonomous systems) would simply lock the brakes and hang on.

Fortunately, the subject vehicle **201** includes an on-board system **200** including an on-board processor, and on-board transceiver, sensors, and actuators such as described in FIG. 1, and also is in range of a land-based wireless access point **203**. The subject vehicle **201** therefore transmits a wireless request message **202**, which includes a request for computational assistance along with the imminent collision data. Although the on-board processor neglected to demand an exclusive communication channel, the land-based access point **203** is configured to terminate competing messages in an emergency, and thereby transfers the imminent collision data to a supercomputer **205** via a fast uncontested communication channel **204**. The supercomputer **205** then analyzes the imminent collision data, calculates a large number of mitigation sequences, and determines that none of them can avoid the collision, hence the collision is unavoidable. The supercomputer **205** then (if not sooner) calculates the harm expected in each of the sequences (or in a subset of the sequences, selected for feasibility or other quality), and selects the sequence that causes the least harm, and sends the recommended sequence to the land-based access point **203** which relays the recommended sequence to the subject vehicle **201** in the form of a wireless response message **206**. The action continues in FIG. 2B.

FIG. 2B shows the same scene as FIG. 2A but 2-3 seconds later. The recommended sequence, being implemented by the subject vehicle **201**, has caused the on-board system **200** of the subject vehicle **201** to reduce the braking pressure briefly in order to enable maneuvering without skidding, and simultaneously to swerve left even though there is not enough room. The subject vehicle **101** is then instructed to slide against the concrete barrier **208** while now braking as hard as possible, in order to dissipate some of its kinetic energy, and to aim for the small space between the second vehicle **202** and the concrete barrier **208**. The subject vehicle **201** thereby follows the trajectory indicated as **213**, losing energy rapidly while braking and grinding along the concrete barrier **208**. The subject vehicle **201** then collides tangentially along the side of the stalled vehicle **208**, continuing to plow forward through the collision until finally stopping. Jagged lines indicate the damage zones, which are extensive. Both of the vehicles **201-208** are totaled, of course, but they would have been anyway. The important thing is that the occupants survived with minimal harm since the collision process was rendered relatively gradual by the manner in which the kinetic energy was dissipated during an extended time period, along the widely distributed crumple zones, thereby avoiding peak accelerations even during the collision process, and especially minimizing the peak jolt experienced by the occupants. The supercomputer **205** thus found a sequence of actions that minimized the harm, in what would otherwise have been a much more serious collision.

FIG. 2C shows a different mitigation of the imminent collision of FIG. 2A, with even better results. Here the truck **210** is assumed to be autonomous or semi-autonomous with an emergency intervention system **216**. The emergency intervention system **216** includes a transceiver and a processor configured to control the brakes and other items of the truck **210**. The land-based access point **203** is thus able to communicate with the truck **210** via the emergency intervention system **216**. The supercomputer **205**, after receiving the wireless request message **202** from the subject vehicle **201**, may send a wireless command message **215** to the truck **210**, instructing it to immediately begin braking as hard as possible. The truck **210** did so, and thereby opened up sufficient space to allow the subject vehicle **201** to squeeze

in (214) behind the intervening vehicle 212, thereby avoiding the collision entirely. The key to this solution is the ability of the supercomputer 205 to communicate directly and near-instantaneously with the truck 210, and the ability of the truck 210 to respond near-instantaneously to emergency commands.

FIG. 2D shows yet another mitigation option. Here the stalled vehicle 209 includes an on-board system 219 as described with FIG. 1, which is able to communicate wirelessly with the land-based access point 103. Thus the stalled vehicle system 219 sends an emergency alert wireless message 220 to the land-based access point 203, informing that the vehicle is stalled in traffic lanes. The local access point 203, or its included local processor, then sent a broadcast warning to inform oncoming traffic, and particularly sent a warning message 221 to the subject vehicle 201 instructing it to slow down and be prepared to stop. In response, the on-board system 200 of the subject vehicle 201 began decelerating as indicated by the brake lights 218 as soon as it received the warning message 221, which was substantially before the intervening vehicle 212 started its move 211. Then, when the stalled vehicle 209 was subsequently revealed to the subject vehicle 201, the subject vehicle 201 had decelerated sufficiently that it was able to stop before hitting the stalled vehicle 209, thereby avoiding the collision. Any additional vehicles approaching in the same lane may also have time to stop, by seeing the brake lights 218 or by receiving the warning message 221 for example. In this case, the local access point 203 provided the mitigation without assistance from the supercomputer 205, since extensive computation was not necessary. In a more complicated situation, or in the scenario depicted but without the warning message 221, the land-based access point 203 may have transferred the traffic data to the supercomputer 205 for additional computational backup, but may still have transmitted the warning message 221 as soon as it received the wireless request message 202, so that other vehicles in the area may be warned that a hazard was developing. In this way, the land-based access point 203 may operate both independently of the supercomputer 205 and cooperatively with the supercomputer 205, to find and communicate the best solutions to traffic hazards in real-time.

FIG. 3 is a flowchart showing an exemplary method for mitigating collisions with supercomputer assistance. Actions of the subject vehicle are shown on the left, and actions of the “remote” supercomputer are shown on the right. In this example, the supercomputer is assumed to be located a substantial distance (such as hundreds or thousands of kilometers) from the land-based access point, and to be capable of very high computational power. Other versions are described below.

At 301, the subject vehicle scans traffic and detects an imminent collision. It quickly contacts 302 the nearest land-based access point, demanding an unshared emergency-priority data channel to a supercomputer, and then transmits the imminent collision data 303 wirelessly. The land-based access point (in cooperation with other downstream electronics) abruptly terminates any competing messages and opens a dedicated, straight-through communication channel to the supercomputer, and transfers the imminent collision data to the supercomputer at 304. The supercomputer analyzes 305 the data, calculates collision scenarios according to various sequences of actions, determines whether the collision is avoidable, and calculates an avoidance sequence if the collision is avoidable or a harm-minimization sequence if unavoidable. The supercomputer then routes 306 the recommended sequence back to the

land-based access point which wirelessly transmits it to the subject vehicle. In the meantime, the on-board processor calculates 307 as many sequences as it can in the short interval. In this way, the on-board processor prepares a “fallback” plan which it can use in case the communication link to the supercomputer fails, or the supercomputer is busy with another collision emergency, or some other problem arises. In this way, the subject vehicle is not dependent on the supercomputer, and uses its own resources to find as good a sequence as possible, simultaneously and independently of the supercomputer.

Optionally (shown in dash) the subject vehicle may begin 308 implementing the best sequence that it has found on-board, even before hearing from the supercomputer. The on-board processor, although not as powerful as the supercomputer, can at least do something to mitigate the collision, and therefore may decide to get started before receiving the recommended sequence. As a further option (not shown) the subject vehicle can send a message to the supercomputer informing it that the subject vehicle has started implementing its own action sequence, so that the supercomputer can take into consideration the updated motion, including position and acceleration, while calculating further mitigation sequences.

At 309, the on-board processor has received the response message from the supercomputer. The on-board processor compares its own best sequence with that recommended by the supercomputer, selects the best of all, and proceeds to implement the best sequence.

As a further option 310-312, the subject vehicle and/or the supercomputer and/or the land-based access point can send a message to local authorities alerting them that a crash is imminent at a particular location, and other data. In addition, the on-board processor and/or the supercomputer may continue to calculate sequences 311-313 even after the recommended sequence has been transmitted and put into action. The calculations may continue until the collision occurs or is finally avoided, the intent being to find an even better sequence that can be implemented in time. In many collision scenarios, an opportunity may appear at the last second in which the severity can be reduced by the right motion, which may not be predictable in advance. Therefore, the on-board processor may update the supercomputer throughout this time and may listen for any last-second advice from the supercomputer. The exclusive communication link may be released as soon as the collision is completed or is avoided. Alternatively, the exclusive channel may be maintained longer, if there is reason to continue using the supercomputer’s services, for example to avoid a secondary threat from oncoming traffic.

The example calls upon a remote computer to calculate a mitigating sequence. As an alternative, the local processor at the land-based access point may be able to do it. For example, at 304 (highlighted box), the imminent collision data may be retained at the land-based access point and processed by the local processor, instead of being sent to a remote computer. The choice of whether to analyze the data locally or with the remote computer may depend on the complexity of the imminent collision, the amount of time available before the collision, the local processing power, and other factors. In a collision scenario that has an easily discerned action that will avoid the collision with high probability, the local processor may transmit that sequence to the subject vehicle without involving the remote computer. As a further alternative, all three entities—the on-board processor, the local processor at the land-based access point, and the remote supercomputer—may be tasked with

calculations simultaneously. If all three entities provide different sequences, the on-board processor is preferably the one to decide which sequence has the best chance of avoiding the collision.

FIG. 4 is a schematic showing an exemplary time series of operations related to the mitigation of an imminent collision, with assistance from a supercomputer. Three horizontal lines show actions related to a subject vehicle, a land-based access point, and a supercomputer, respectively, at different locations. Time is the horizontal axis. Actions are indicated by boxes. Information transfers between locations are indicated by heavy arrows.

Initially, the subject vehicle scans traffic using its sensors and determines that a collision is imminent. The subject vehicle then sends a wireless signal demanding an untested communication channel on an emergency basis. The land-based access point responds by abruptly terminating any low-priority messages (“chatter” shown by cross-hatch) and establishes an interference-free communication channel for the subject vehicle, then sends a wireless message acknowledging the demand back to the subject vehicle. The subject vehicle then sends a second wireless message containing the imminent collision data, such as the positions and velocities of the other vehicles relative to the subject vehicle, and also the conditions of the roadway, and other relevant information. The land-based access point receives the imminent collision data and relays the data to the supercomputer. The supercomputer then calculates sequences of actions, typically a very large number of sequences of actions, to determine if any of them can avoid the collision, and if not, which sequence provides the least harm. The supercomputer thereby selects a particular sequence to recommend and sends the recommended sequence back to the land-based access point, which relays the sequence to the subject vehicle as a wireless response message. The subject vehicle receives the recommended sequence and implements it by activating the brakes, steering, and throttle according to the recommended sequence, thereby mitigating the collision.

The depicted scenario affords many optional variations, some of which are shown in dash. (a) The subject vehicle may insert the imminent collision data into the initial wireless signal which also demands clear access, rather than waiting for the acknowledgement, thereby saving a little time. (b) The on-board processor may calculate its own sequences of actions (shown in light stipple) after sending the imminent collision data. (c) The on-board processor may also select one of the on-board sequences and begin implementing it (diamond hatch) before receiving anything back from the supercomputer. Calculating the on-board sequence and beginning to implement it may be advantageous if there were a communication interruption or other delay preventing the supercomputer from helping the subject vehicle. The subject vehicle may thus remain self-sufficient and not dependent on remote assistance which may not arrive for various reasons. In this case, the recommended sequence does arrive, at which time the on-board processor can decide (d) whether to switch to the recommended sequence or continue implementing the on-board sequence already started. If the recommended sequence is able to avoid the collision whereas the on-board sequence is only able to minimize the harm, then of course the on-board processor will switch to the recommended sequence, assuming there is still time to implement the avoidance sequence. Likewise if the recommended sequence promises less harm than the on-board sequence, then again the on-board processor may switch to it. However, if the on-board sequence is better than the recommended sequence, or if there is simply not enough

time to implement the recommended sequence, then the on-board processor may decide to continue implementing the sequence already in progress.

As a further option, (e) the local processor of the land-based access point may perform its own calculations after transferring the imminent collision data to the supercomputer (or concurrently), thereby potentially finding yet another sequence (a “local” sequence) for consideration. The land-based access point can transmit its local sequence to the subject vehicle as soon as a suitable sequence is discovered, or alternatively the land-based access point may transmit the local sequence along with the recommended sequence of the supercomputer in a single wireless response message, or otherwise. If the recommended sequence is clearly superior (such as avoiding the collision while the local sequence does not), then the land-based access point may withhold its local sequence, to save time and avoid confusion. In this way all three entities—on-board processor, local processor, and remote supercomputer—work together to help the subject vehicle mitigate the imminent collision.

As a further option (f) the supercomputer and/or the on-board processor and/or the local processor may continue to explore further sequences even after the recommended sequence has been delivered, in the hope of finding an even better outcome in time to carry it out. Especially as the time-to-collision approaches, a last-second adjustment in steering for example may make a significant difference in the amount of harm if implemented in time. Also, the on-board processor, the local processor, and the supercomputer may communicate repeatedly during the sequence search process, and thereafter, to update each other according to the actual trajectories of the vehicles involved and any other unexpected events that may relate to the mitigation.

As a further option (not shown), the land-based access point may allow low-priority messages to resume after relaying the imminent collision data to the land-based computer, and likewise may resume low-priority messages after relaying the recommended sequence to the subject vehicle, or at other times. However, if it does so, preferably the land-based access point is prepared to interrupt those messages abruptly whenever the on-board processor or the supercomputer initiates a communication.

The various messages and actions in the chart are shown occupying separate (non-overlapping) time intervals, but in a practical system many of these actions may be performed concurrently in order to save time. For example, the land-based access point (acting as a bitwise relay) may begin transferring the imminent collision data to the supercomputer while still receiving the wireless request message (or whichever wireless message includes the imminent collision data). Likewise the land-based access point may relay the recommended sequence to the subject vehicle while the sequence is still being transferred from the supercomputer, since they likely involve separate electronics and can be configured to operate at the same time. In addition, the on-board processor may begin implementing the recommended sequence even while the wireless response message is in progress, for example by implementing the first action in the sequence, thereby saving precious milliseconds. In an imminent collision scenario, milliseconds save lives.

Also not shown are steps and options for the supercomputer and/or the on-board processor and/or the local processor to calculate sequences based on a catalog of previously-successful sequences. In some cases it may save time to start with sequences that have been used previously in closely-related collision scenarios, and then varying parameters of

those previously-successful sequences to adapt them to the present emergency. If none of the previously-successful sequences is satisfactory, then the processor may proceed to invent new sequences. The catalog of previously-successful sequences, and the conditions under which they have been suitable, may be stored within or proximate to each of those processors as non-volatile data, accessible and readable by the respective processors when needed.

As a further option, the supercomputer (or other remote computer, or nonspecific data storage maintained in the "cloud") may contain the catalog of previously-successful sequences, as well as the conditions under which those sequences may be suitable. Then, any of the above processors (that is, the on-board processor, the local processor at the land-based access point, or the remote supercomputer or other computer assisting in collision mitigation) can retrieve the relevant previously-successful sequences, and can adapt them to the emergency at hand.

As a further option, the supercomputer may draw upon other computers, such as other supercomputers in a regional or nationwide grid (or a global grid if connected by speed-of-light communication) or in the "cloud" of networked processors. The supercomputer may thereby obtain further computational power, data backup, software redundancy, etc.

The collision-mitigation systems and methods disclosed herein can provide numerous benefits not available heretofore. Embodiments can employ the superior calculational power of a local computer, a remote computer cluster, a national supercomputer, or the like to select a beneficial sequence of actions in a traffic emergency. The supercomputer (or the like) typically has many thousands of times greater computing power than the subject vehicle, and therefore is able to explore a much wider range of sequences with higher precision. The supercomputer may also be able to perform the difficult dynamical modeling calculations, that relate the impact parameters to the harm estimates, in the limited time available. Dynamical collision modeling may be needed to determine which sequence minimizes the harm, depending on just how the vehicles come together. Teamed with fast communication protocols and fast wireless access points, the supercomputer can thus assist the subject vehicle in avoiding, or at least minimizing, imminent collisions.

The system and method may be fully implemented in any number of computing devices. Typically, instructions are laid out on computer readable media, generally non-transitory, and these instructions are sufficient to allow a processor in the computing device to implement the method of the invention. The computer readable medium may be a hard drive or solid state storage having instructions that, when run, or sooner, are loaded into random access memory. Inputs to the application, e.g., from the plurality of users or from any one user, may be by any number of appropriate computer input devices. For example, users may employ vehicular controls, as well as a keyboard, mouse, touch-screen, joystick, trackpad, other pointing device, or any other such computer input device to input data relevant to the calculations. Data may also be input by way of one or more sensors on the robot, an inserted memory chip, hard drive, flash drives, flash memory, optical media, magnetic media, or any other type of file-storing medium. The outputs may be delivered to a user by way of signals transmitted to robot steering and throttle controls, a video graphics card or integrated graphics chipset coupled to a display that maybe seen by a user. Given this teaching, any number of other tangible outputs will also be understood to be contemplated

by the invention. For example, outputs may be stored on a memory chip, hard drive, flash drives, flash memory, optical media, magnetic media, or any other type of output. It should also be noted that the invention may be implemented on any number of different types of computing devices, e.g., embedded systems and processors, personal computers, laptop computers, notebook computers, net book computers, handheld computers, personal digital assistants, mobile phones, smart phones, tablet computers, and also on devices specifically designed for these purposes. In one implementation, a user of a smart phone or WiFi-connected device downloads a copy of the application to their device from a server using a wireless Internet connection. An appropriate authentication procedure and secure transaction process may provide for payment to be made to the seller. The application may download over the mobile connection, or over the WiFi or other wireless network connection. The application may then be run by the user. Such a networked system may provide a suitable computing environment for an implementation in which a plurality of users provide separate inputs to the system and method. In the below system where robot controls are contemplated, the plural inputs may allow plural users to input relevant data at the same time.

It is to be understood that the foregoing description is not a definition of the invention but is a description of one or more preferred exemplary embodiments of the invention. The invention is not limited to the particular embodiments(s) disclosed herein, but rather is defined solely by the claims below. Furthermore, the statements contained in the foregoing description relate to particular embodiments and are not to be construed as limitations on the scope of the invention or on the definition of terms used in the claims, except where a term or phrase is expressly defined above. Various other embodiments and various changes and modifications to the disclosed embodiment(s) will become apparent to those skilled in the art. For example, the specific combination and order of steps is just one possibility, as the present method may include a combination of steps that has fewer, greater, or different steps than that shown here. All such other embodiments, changes, and modifications are intended to come within the scope of the appended claims.

As used in this specification and claims, the terms "for example", "e.g.", "for instance", "such as", and "like" and the terms "comprising", "having", "including", and their other verb forms, when used in conjunction with a listing of one or more components or other items, are each to be construed as open-ended, meaning that the listing is not to be considered as excluding other additional components or items. Other terms are to be construed using their broadest reasonable meaning unless they are used in a context that requires a different interpretation.

The invention claimed is:

1. A system for mitigating an imminent collision, comprising a subject vehicle, a land-based receiver, a land-based transmitter, and a land-based supercomputer, wherein:
 - the subject vehicle is configured to detect, with sensors mounted in or on the subject vehicle, an imminent collision with a second vehicle, and to transmit a wireless request message specifying imminent collision data;
 - the land-based receiver is configured to receive the wireless request message and to transmit the imminent collision data to the land-based supercomputer;
 - the land-based supercomputer is configured to calculate a recommended sequence of actions for mitigating the collision, the calculation including calculation of a plurality of sequences of actions and is further config-

19

ured to select from the calculated sequences of actions, a recommended sequence of actions that avoids the collision or minimizes the harm of the collision; the land-based supercomputer is further configured to transmit the recommended sequence of actions to the land-based transmitter; the land-based transmitter is configured to transmit a wireless response message specifying the recommended sequence of actions to the subject vehicle; and the subject vehicle is configured to receive the wireless response message and implement the recommended sequence of actions in time to avoid or mitigate the collision, wherein the land-based supercomputer is configured to determine whether the collision is avoidable or unavoidable, and wherein the land-based supercomputer is configured to find a sequence of actions that avoids the collision when the collision is avoidable, and a sequence of actions that minimizes the harm of the collision when the collision is unavoidable, and wherein the land-based supercomputer is configured to calculate the harm of the collision by calculating a number of expected fatalities times a predetermined fatality weighting factor, plus a number of expected injuries times a predetermined injury weighting factor, plus an expected amount of property damage times a predetermined property damage weighting factor.

2. The system of claim 1, wherein the land-based supercomputer is configured to calculate a fatality probability related to the expected fatalities, an injury probability related to the expected injuries, and a damage probability related to the expected property damage.

3. The system of claim 1, wherein the recommended sequence of actions comprises a plurality of actions, each action being a braking action, a steering action, an accelerating action, or a waiting action.

4. The system of claim 3, wherein the sequence of actions specifies an intensity value or a time duration related to at least one of the actions.

5. The system of claim 1, wherein the calculating the recommended sequence of actions comprises calculating predicted relative positions of the subject vehicle and the second vehicle for a future duration of time.

6. The system of claim 5, wherein the calculating predicted relative positions includes calculating motions of the subject vehicle according to the recommended sequence of actions.

7. The system of claim 1, wherein the wireless request message includes a request for unimpeded communication with the land-based supercomputer.

8. A system for mitigating an imminent collision, comprising a subject vehicle, a land-based receiver, a land-based transmitter, and a land-based supercomputer, wherein:

the subject vehicle is configured to detect, with sensors mounted in or on the subject vehicle, an imminent collision with a second vehicle, and to transmit a wireless request message specifying imminent collision data;

the land-based receiver is configured to receive the wireless request message and to transmit the imminent collision data to the land-based supercomputer;

the land-based supercomputer is configured to calculate a recommended sequence of actions for mitigating the collision, the calculation including calculation of a plurality of sequences of actions and selection, from the calculated sequences of actions, a recommended sequence of actions that avoids the collision or minimizes the harm of the collision;

20

the land-based supercomputer is further configured to transmit the recommended sequence of actions to the land-based transmitter;

the land-based transmitter is configured to transmit a wireless response message specifying the recommended sequence of actions to the subject vehicle; and the subject vehicle is configured to receive the wireless response message and implement the recommended sequence of actions in time to avoid or mitigate the collision, wherein the wireless request message includes a request for unimpeded communication with the land-based supercomputer, and wherein the land-based receiver is configured to transmit the imminent collision data to the land-based supercomputer without interference from other messages, the land-based supercomputer is configured to transmit the recommended sequence of actions to the land-based transmitter without interference from other messages, and the land-based transmitter is configured to transmit the sequence of actions to the subject vehicle without interference from other messages.

9. The system of claim 8, wherein: the land-based receiver is configured to receive the first wireless message with a time between transmission and reception of the message of less than 1 millisecond;

the land-based receiver is configured to transmit the imminent collision data to the land-based supercomputer with a latency of less than 1 millisecond;

the land-based supercomputer is configured to transmit the recommended sequence of actions to the land-based transmitter with a latency of less than 1 millisecond; and

the land-based transmitter is configured to transmit the wireless response message with a latency of less than 1 millisecond.

10. The system of claim 9, wherein:

the subject vehicle is configured to transmit the first wireless message with an average transfer rate of at least 100 megabits per second;

the land-based receiver is configured to transfer the imminent collision data to the land-based supercomputer with a transfer rate of at least 1 gigabit per second;

the land-based supercomputer is configured to transfer the recommended sequence of actions to the land-based transmitter with a transfer rate of at least 1 gigabit per second; and

the land-based transmitter is configured to transmit the wireless response message with a transfer rate of at least 100 megabits per second.

11. The system of claim 10, wherein the land-based supercomputer is capable of at least 100 trillion floating-point operations per second.

12. The system of claim 11, wherein the imminent collision data is transferred to the land-based supercomputer using a data transfer medium comprising a coaxial cable, a fiber-optic cable, or a microwave beam.

13. The system of claim 1, wherein the subject vehicle comprises an on-board processor configured to calculate an on-board sequence of actions for mitigating the collision.

14. The system of claim 13, wherein the on-board processor is configured to begin implementation of the on-board sequence of actions before receiving the wireless response message.

15. The system of claim 14, wherein the on-board processor is configured to compare the on-board sequence of actions with the recommended sequence of actions, and to select one of the sequences of actions from among the

21

on-board and recommended sequences of actions according to a predetermined selection criterion, and to implement the selected sequence of actions.

16. The system of claim 15, wherein the predetermined selection criterion comprises selecting whichever sequence results in the least harm if the on-board and recommended sequences both fail to avoid the collision, and selecting whichever sequence avoids the collision if exactly one sequence, of the on-board and recommended sequences, avoids the collision.

17. The system of claim 16, wherein the on-board processor is configured to calculate, while implementing a particular sequence of actions, an additional sequence of actions, and to implement whichever sequence of actions, of the particular and additional sequences of actions, that avoids the collision if avoidable or results in least harm if unavoidable.

18. A system for mitigating an imminent collision, comprising a subject vehicle, a land-based receiver, a land-based transmitter, and a land-based supercomputer, wherein:

the subject vehicle is configured to detect, with sensors mounted in or on the subject vehicle, an imminent collision with a second vehicle, and to transmit a wireless request message specifying imminent collision data;

the land-based receiver is configured to receive the wireless request message and to transmit the imminent collision data to the land-based supercomputer;

the land-based supercomputer is configured to calculate a recommended sequence of actions for mitigating the collision, the calculation including calculation of a plurality of sequences of actions and selection, from the calculated sequences of actions, a recommended sequence of actions that avoids the collision or minimizes the harm of the collision;

the land-based supercomputer is further configured to transmit the recommended sequence of actions to the land-based transmitter;

the land-based transmitter is configured to transmit a wireless response message specifying the recommended sequence of actions to the subject vehicle; and the subject vehicle is configured to receive the wireless response message and implement the recommended sequence of actions in time to avoid or mitigate the collision, wherein the land-based supercomputer is configured to calculate, after transmitting the recommended sequence of actions to the land-based transmitter, an additional sequence of actions, and to determine whether the additional sequence of actions avoids the collision or results in less harm than the recommended sequence of actions.

19. The system of claim 18, wherein the land-based supercomputer is configured to transfer the additional sequence of actions to the land-based transmitter after calculating that the additional sequence of actions avoids the collision and that the recommended sequence of actions fails to avoid the collision.

20. The system of claim 18, wherein the land-based supercomputer is configured to transfer the additional sequence of actions to the land-based transmitter after calculating that the additional sequence of actions produces less harm than the recommended sequence of actions.

21. The system of claim 1, wherein at least one of the wireless request message, the transmit of the imminent collision data to the land-based supercomputer, the transmit of the recommended sequence to the land-based transmitter,

22

and the wireless response message, employ a high-speed communication protocol comprising 5G or beyond 5G technology.

22. The system of claim 8, wherein the recommended sequence of actions comprises a plurality of actions, each action being a braking action, a steering action, an accelerating action, or a waiting action.

23. The system of claim 22, wherein the sequence of actions specifies an intensity value or a time duration related to at least one of the actions.

24. The system of claim 8, wherein the calculating the recommended sequence of actions comprises calculating predicted relative positions of the subject vehicle and the second vehicle for a future duration of time.

25. The system of claim 24, wherein the calculating predicted relative positions includes calculating motions of the subject vehicle according to the recommended sequence of actions.

26. The system of claim 8, wherein the subject vehicle comprises an on-board processor configured to calculate an on-board sequence of actions for mitigating the collision.

27. The system of claim 26, wherein the on-board processor is configured to begin implementation of the on-board sequence of actions before receiving the wireless response message.

28. The system of claim 27, wherein the on-board processor is configured to compare the on-board sequence of actions with the recommended sequence of actions, and to select one of the sequences of actions according to a predetermined selection criterion, and to implement the selected sequence of actions.

29. The system of claim 28, wherein the predetermined selection criterion comprises selecting whichever sequence results in the least harm if the on-board and recommended sequences both fail to avoid the collision, and selecting whichever sequence avoids the collision if exactly one sequence, of the on-board and recommended sequences, avoids the collision.

30. The system of claim 29, wherein the on-board processor is configured to calculate, while implementing a particular sequence of actions, an additional sequence of actions, and to implement whichever sequence of actions, of the particular and additional sequences of actions, avoids the collision or results in less harm.

31. The system of claim 18, wherein the recommended sequence of actions comprises a plurality of actions, each action being a braking action, a steering action, an accelerating action, or a waiting action.

32. The system of claim 31, wherein the sequence of actions specifies an intensity value or a time duration related to at least one of the actions.

33. The system of claim 18, wherein the calculating the recommended sequence of actions comprises calculating predicted relative positions of the subject vehicle and the second vehicle for a future duration of time.

34. The system of claim 33, wherein the calculating predicted relative positions includes calculating motions of the subject vehicle according to the recommended sequence of actions.

35. The system of claim 18, wherein the wireless request message includes a request for unimpeded communication with the land-based supercomputer.

36. The system of claim 18, wherein the subject vehicle comprises an on-board processor configured to calculate an on-board sequence of actions for mitigating the collision.

23

37. The system of claim 36, wherein the on-board processor is configured to begin implementation of the on-board sequence of actions before receiving the wireless response message.

38. The system of claim 37, wherein the on-board processor is configured to compare the on-board sequence of actions with the recommended sequence of actions, and to select one of the sequences of actions according to a predetermined selection criterion, and to implement the selected sequence of actions.

39. The system of claim 38, wherein the predetermined selection criterion comprises selecting whichever sequence results in the least harm if the on-board and recommended sequences both fail to avoid the collision, and selecting whichever sequence avoids the collision if exactly one sequence, of the on-board and recommended sequences, avoids the collision.

40. The system of claim 39, wherein the on-board processor is configured to calculate, while implementing a

24

particular sequence of actions, an additional sequence of actions, and to implement whichever sequence of actions, of the particular and additional sequences of actions, avoids the collision or results in less harm.

41. The system of claim 8, wherein at least one of the wireless request message, the transmit of the imminent collision data to the land-based supercomputer, the transmit of the recommended sequence to the land-based transmitter, and the wireless response message, employ a high-speed communication protocol comprising 5G or beyond 5G technology.

42. The system of claim 18, wherein at least one of the wireless request message, the transmit of the imminent collision data to the land-based supercomputer, the transmit of the recommended sequence to the land-based transmitter, and the wireless response message, employ a high-speed communication protocol comprising 5G or beyond 5G technology.

* * * * *